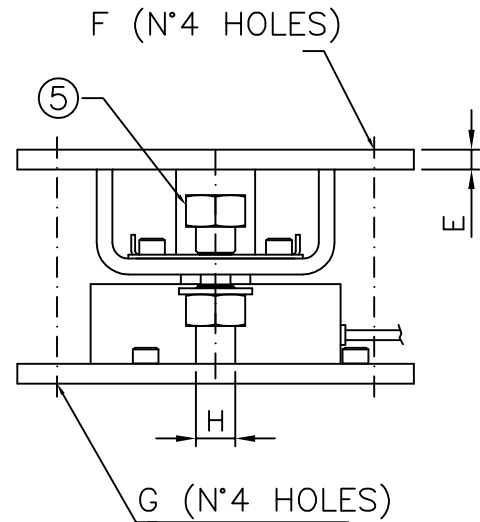
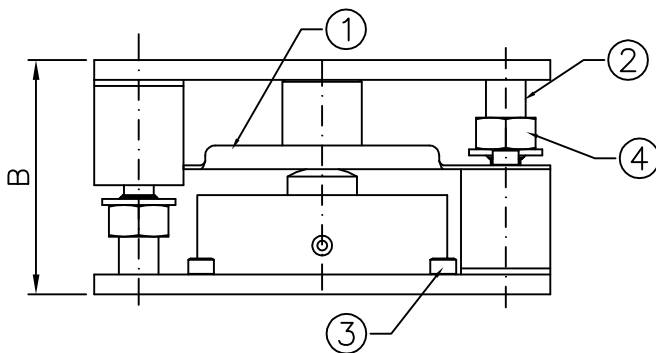
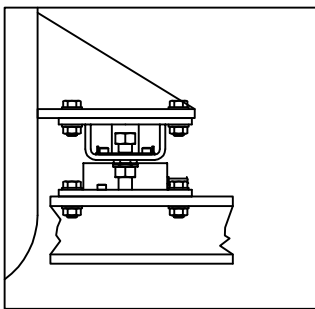


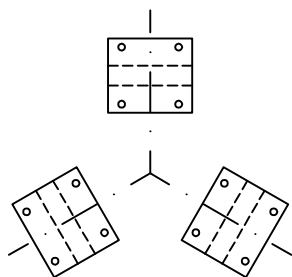
- ① SLABS BLOCKING LATERAL MOVEMENT
- ② BOLTS WITH SCREW JACK FUNCTION
- ③ 3 CELL BLOCKING BOLTS
- ④ NUT TO BE USED AS SCREW JACK
- ⑤ LOOKING NUT



INSTALLATION EXAMPLE

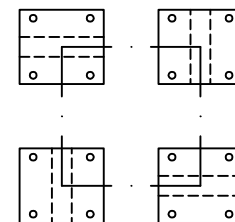


EXAMPLE OF POSITIONING THE CONSTRAINTS IN A STRUCTURE WITH 3 BASES PLACED AT 120°



CAPACITY	A	B	C	D	E	F	G	H
0.5 ÷ 15 t	175	96	150	115	10	∅14	∅14	M16
30 t	230	118	200	160	10	∅17	∅17	M20

EXAMPLE OF POSITIONING THE CONSTRAINTS IN A STRUCTURE WITH 4 BASES




IMPORTANT NOTES FOR PROPER INSTALLATION

Kit KCPN and designed to allow the proper functioning of the cells and the required accuracy in weighing, without covering protection function and structure of the cell.

The installer must examine the solutions needed to protect the system against lateral forces, overturning and overhead as a function of:

- shock and vibration;
- wind pressure;
- seismic classification of the installation;
- consistency-based support.

 DINI ARGEO Bilance-Sistemi di pesatura	DATA-DATE	DISEGN.-DRAWED	SCALA-SCALE	FOGLIO-SHEET		
	15/07/04	S.C.	-	A4		
	DESCRIZIONE DESCRIPTION	DIMENSIONS AND POSITIONING OF KCPN ASSEMBLY KIT				
	NOTE NOTES			CODICE CAD CAD CODE	274F59	
				CODICE CODE	-	